

2CV Series 2.5 x 2.0 mm SMD Crystal Oscillator

2 : 2.5×2.0×0.81 mm | SMD2520-4P

CV : Low Voltage Crystal Oscillator

Feature

- Ceramic surface mount with Metal Lid
- CMOS compatible logic levels
- Tri-state function available
- Supply voltage range : 0.8V ~ 2.0V(1.2V typ.)
- RoHS Compliant / Pb Free

Applications

- Wireless Devices
- Internet of Things (IoT) devices
- Fibre Channel
- Ethernet/Gigabit Ethernet
- Portable Electronics



Electrical Specifications

Item	Symb.	Min.	Typ.	Max.	Unit	Notes
Frequency Range	Freq.	0.75		50.000	MHz	
Operating Temperature	T_use	-20		+70	°C	
		-40		+85	°C	
Storage Temperature Range	T_stg	-55		+125	°C	
Supply Voltage	Vdd	0.8	1.2	2.0	V	
Output Load	L_CMOS		15		pF	
Current Consumption	Icc			1.5	mA	No load condition, Vdd=1.2V 0.75MHz ≤ Freq. < 12MHz
				1.7		No load condition, Vdd=1.2V 12MHz ≤ Freq. < 24MHz
				2.0		No load condition, Vdd=1.2V 24MHz ≤ Freq. < 50MHz
Duty Cycle	SYM	45		55	%	50 % Vdd level, L_CMOS ≤ 15 pF
Rise / Fall Time	T _R / T _F			5	nS	10% Vdd to 90% Level
Start-up Time	T_str			5	mS	To 90% of Final Amplitude
High output voltage	V _{OH}	0.9Vdd			V	
Low output voltage	V _{OL}			0.1Vdd	V	
Enable Voltage High (Logic 1)	V _{IH}	0.7Vdd			V	Output will be disable if OE is Logic 0 Output will be enable if OE is Logic 1 or open
Enable Voltage Low (Logic 0)	V _{IL}			0.3Vdd	V	
Aging	f_age			3	ppm	1st. Year at 25°C

Frequency Stability & Operating Temperature Range

Temp. \ FT	±20ppm	±25ppm	±30ppm	±50ppm
-20°C to +70°C	△	★	★	★
-40°C to +85°C		△	★	★

★: Available △: Conditional

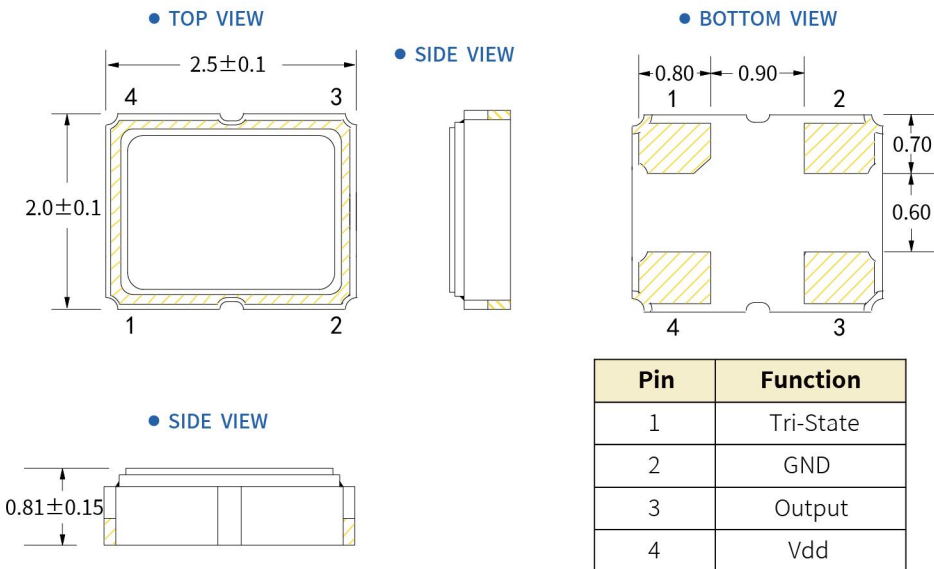
All condition: Include 25°C tolerance, operating temperature range, input voltage change, aging, load change.

2CV Series 2.5 x 2.0 mm SMD Crystal Oscillator

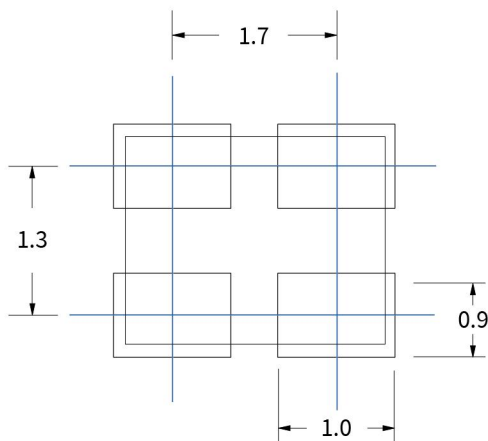
2 : 2.5×2.0×0.81 mm | SMD2520-4P

CV : Low Voltage Crystal Oscillator

Dimensions (UNIT:mm)



Solder pad layout (UNIT:mm)



Options and Part Identification : Example SX2M25.000E20F30THN

Company	Ceramic Package	Frequency Code [MHz]	Supply Voltage	Frequency Tolerance	Operating Temperature	Frequency Drift	Output	Current Consumption	Phase Noise
SX	2M	X.XXX	E	20	F	30	T	H	N
Code Company	Code Ceramic Package	Frequency	Code Voltage	Code Frequency Tolerance	Code Operating Temperature	Code Frequency Drift	Code Output	Code Current	Code Phase Noise
SX SCTF	7M 7.0×5.0×1.3mm 5M 5.0×3.2×1.2mm 3M 3.2×2.5×0.95mm 2M 2.5×2.0×0.81mm 1M 2.0×1.6×0.75mm	25.000 50.000	G 0.8V F 1.0V E 1.2V	10 ±10ppm 20 ±20ppm	E -20°C ~ +70°C F -40°C ~ +85°C	15 ±15ppm 20 ±20ppm 30 ±30ppm	T CMOS	H 3mA J 2mA K 1mA	N Standard

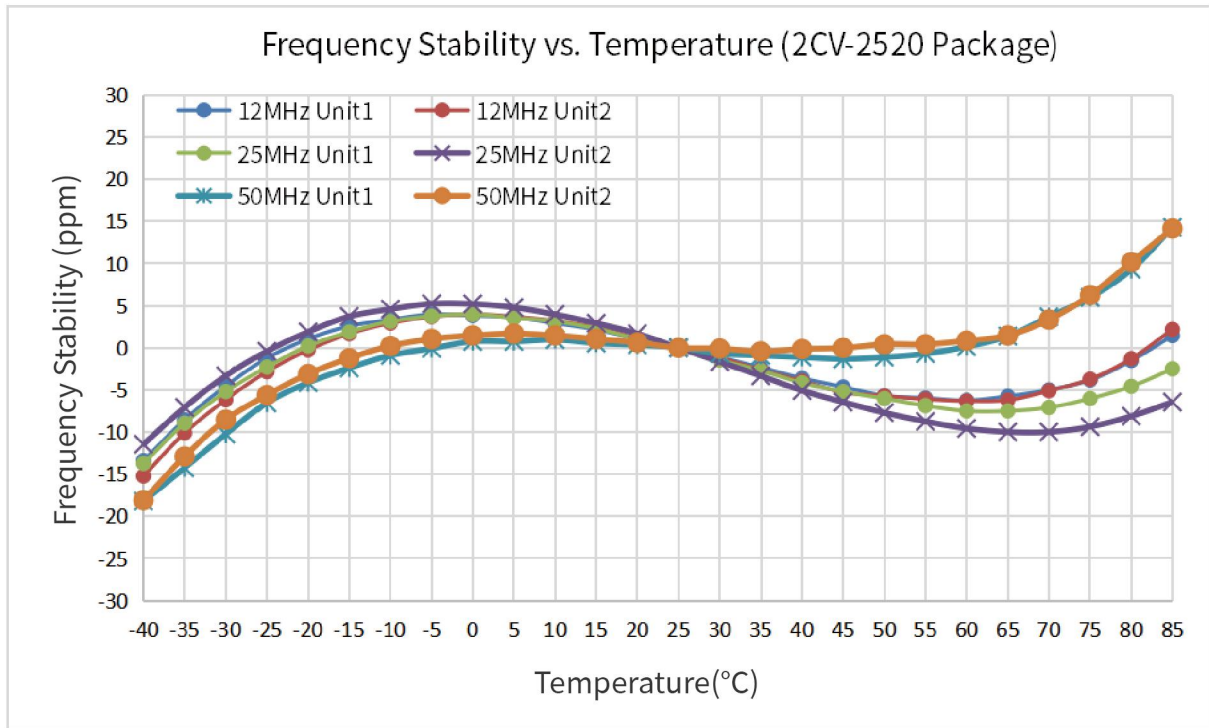
If you have other parameter requirements, you can contact **SCTF** at any time.

2CV Series 2.5 x 2.0 mm SMD Crystal Oscillator

2 : 2.5×2.0×0.81 mm | SMD2520-4P

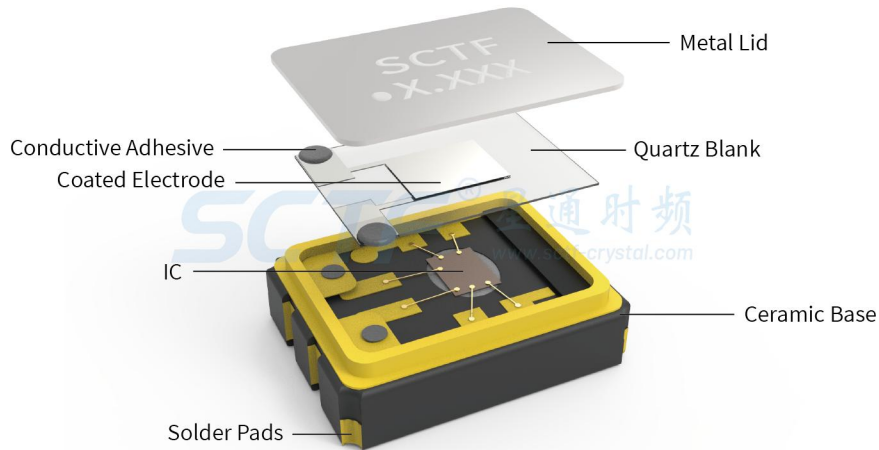
CV : Low Voltage Crystal Oscillator

Frequency Temperature Characteristics

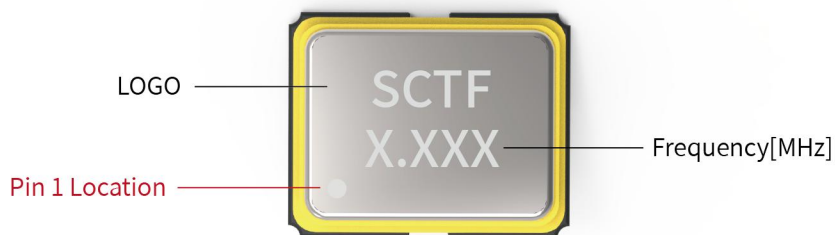


Product Structure & Marking Information

Product Structure



Marking Information

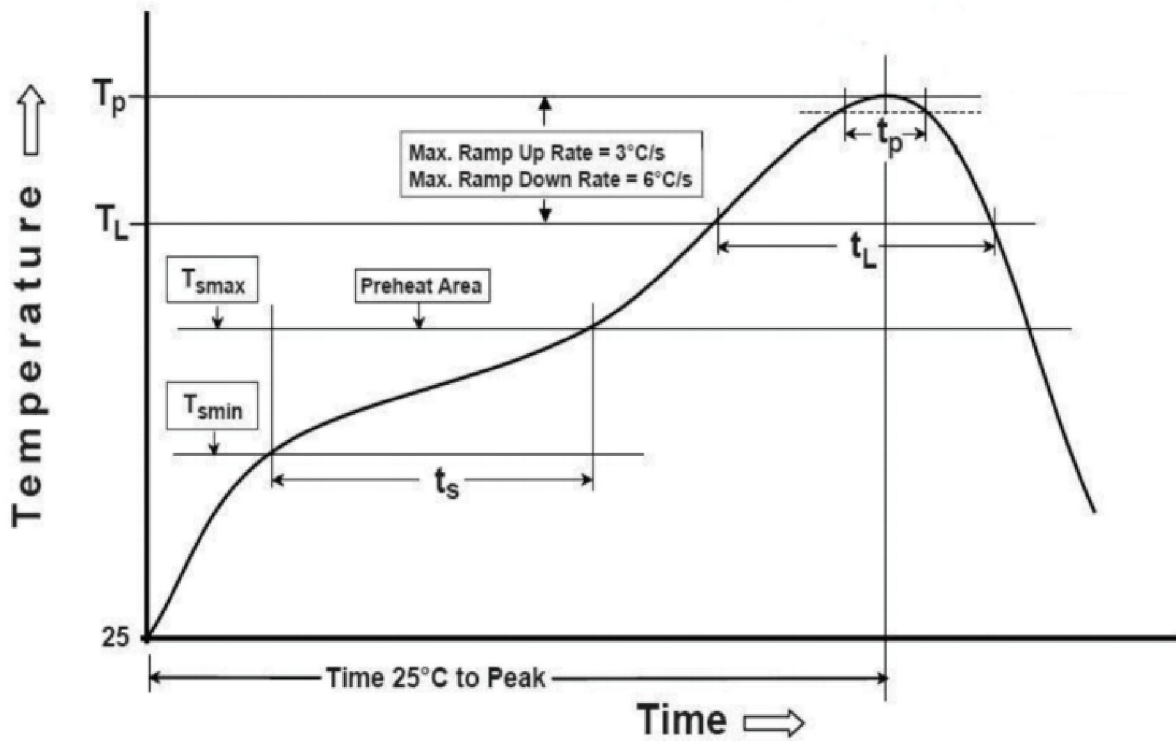


2CV Series 2.5 x 2.0 mm SMD Crystal Oscillator

2 : 2.5×2.0×0.81 mm | SMD2520-4P

CV : Low Voltage Crystal Oscillator

Suggested Reflow Profile



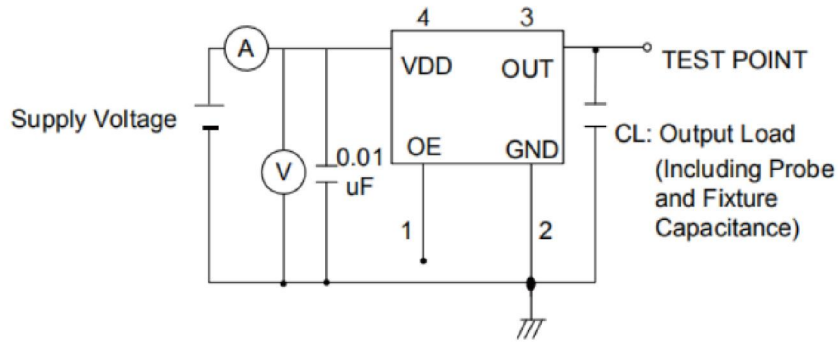
Profile Feature	Sn - Pb Eutectic Assembly	Preheat / Soak
Preheat / Soak <ul style="list-style-type: none"> ● Temperature Min (Ts min) ● Temperature Max (Ts max) ● Time (Ts min to Ts max) 	100°C 150°C 60-120 seconds	150°C 200°C 60-120 seconds
Ramp - up rate (TL to Tp)	3°C/ second max.	3°C/ second max.
Time maintained above <ul style="list-style-type: none"> ● Liquidous temperature (TL) ● Time (tL) maintained above TL 	183°C 60-150 seconds	217°C 60-150 seconds
Peak package body temperature (Tp)	235°C	260°C
Time within 5° C of the specified classification temperature (Tp)	20 seconds	30 seconds
Ramp - down rate (Tp to TL)	6°C/ second max.	6°C/ second max.
Time 25° C to peak temperature	6 minutes max.	8 minutes max.
Suggest reflow times	2 Times max.	

2CV Series 2.5 x 2.0 mm SMD Crystal Oscillator

2 : 2.5×2.0×0.81 mm | SMD2520-4P

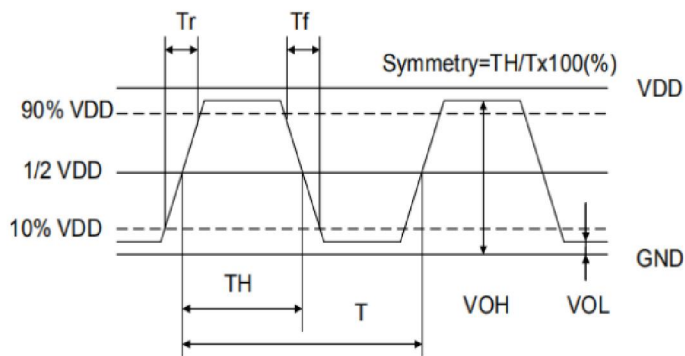
CV : Low Voltage Crystal Oscillator

Testing Circuit



※ Notes: PIN 1 connected to Vdd or floating, the product is working properly; connected to GND, stops working.

Waveform Conditions



Waveform measurement system should have a min. bandwidth of 5 times the frequency being tested.

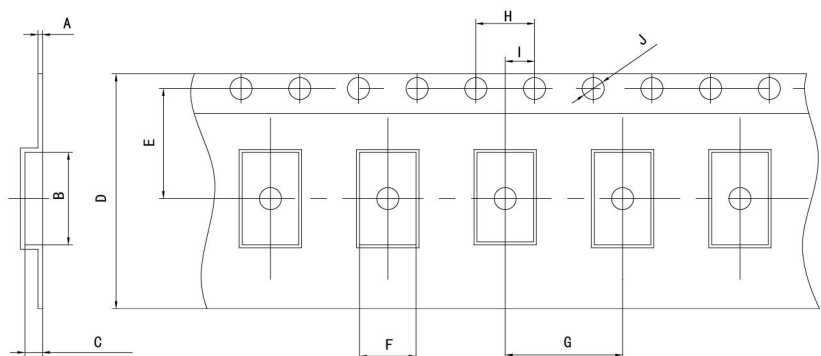
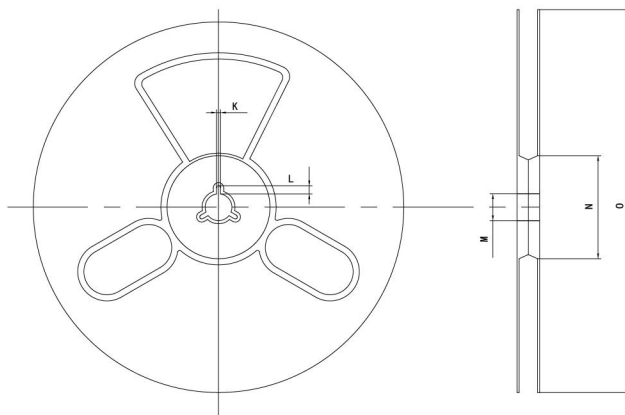
2CV Series 2.5 x 2.0 mm SMD Crystal Oscillator

2 : 2.5×2.0×0.81 mm | SMD2520-4P

CV : Low Voltage Crystal Oscillator

Packaging Information

T=Tape and reel (3,000pcs/reel)



Pocket Tape Dimensions(mm)

Series	A	B	C	D	E	F	G	H	I	J	K	L	M	N	O
2CV	0.25±0.05	3.5±0.1	1.4±0.1	8.0±0.1	3.5±0.1	2.70±0.1	4.0±0.1	4.0±0.1	2.0±0.1	φ1.5±0.1	2.0±0.2	4.0±1.0	φ13±0.5	φ60±1	φ180±1

Common Frequencies – MHz

2CV Series				
1.000	1.024	2.000	2.048	3.579545
3.6864	4.000	4.096	4.9152	6.000
6.144	7.3728	8.000	8.192	10.000
11.0592	11.2896	12.000	12.288	14.7456
16.000	16.384	18.432	20.000	22.1184
22.5792	24.000	24.576	25.000	26.000
27.000	30.000	32.000	32.768	33.000
33.3333	36.000	40.000	45.000	45.1584
49.152	50.000			